



∅221x71 mm

San Ace C221 9TP type

General Specifications

- Material Motor case: Aluminum (Black coating), Impeller: Plastic (Flammability: UL 94V-0)
- Expected life See the table below. (L10 life: 90% survival rate for continuous operation in free air at 60°C, rated voltage) Expected life at 40°C is for reference only.
- Motor protection function Locked rotor burnout protection, Reverse polarity protection
For details, please refer to p. 573.
- Dielectric strength 50/60 Hz, 500 VAC, for 1 minute (between lead wire conductors and motor case)
- Insulation resistance 10 MΩ or more with a 500 VDC megger (between lead wire conductors and motor case)
- Sound pressure level (SPL) At 1 m away from the air inlet
- Storage temperature -30 to +70°C (Non-condensing)
- Lead wire ⊕Red ⊖Black Sensor Yellow Control Brown
- Mass 1050 g

Specifications When the optional inlet nozzle (109-1135) is mounted.

The models listed below **have pulse sensors with PWM control function.**

| Model no. | Rated voltage [V] | Operating voltage range [V] | PWM duty cycle [%] | Rated current [A] | Rated input [W] | Rated speed [min ⁻¹] | Max. airflow [m ³ /min] [CFM] | Max. static pressure [Pa] [inchH ₂ O] | SPL [dB (A)] | Operating temperature [°C] | Expected life [h] |
|-------------|-------------------|-----------------------------|--------------------|-------------------|-----------------|----------------------------------|--|--|--------------|----------------------------|----------------------------|
| 9TP24P0H001 | 24 | 16 to 36 | 100 | 3.2 | 76.8 | 3050 | 17.6 622 | 530 2.13 | 71 | -20 to +70 | 40000/60°C (70000/40°C) |
| | | | 15 | 0.4 | 9.6 | 1000 | 5.75 203 | 57.4 0.23 | 53 | | |
| 9TP48P0G001 | 48 | 36 to 72 | 100 | 2.75 | 132 | 3650 | 21 742 | 760 3.05 | 74 | -20 to +60 | |
| | | | 15 | 0.2 | 9.6 | 1000 | 5.75 203 | 57.4 0.23 | 53 | -20 to +60 | |
| 100 | | | 1.6 | 76.8 | 3050 | 17.6 622 | 530 2.13 | 71 | -20 to +70 | | |
| 15 | | | 0.2 | 9.6 | 1000 | 5.75 203 | 57.4 0.23 | 53 | | | |

* PWM input frequency is 25 kHz; models without specifications at 0% PWM duty cycle have zero fan speed at 0%.
Max input of 9TP48P0G001: 280 W, 9TP24P0H001/9TP48P0H001: 160 W at rated voltage.

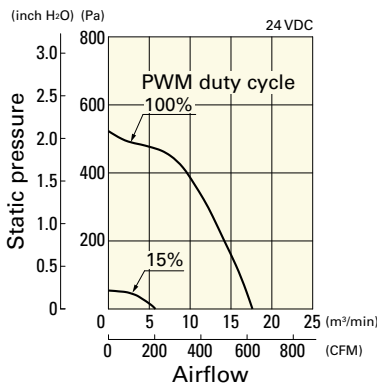
The following sensor and control options are available for selection.

Differs according to the model. Refer to the table on p. 610. Without sensor

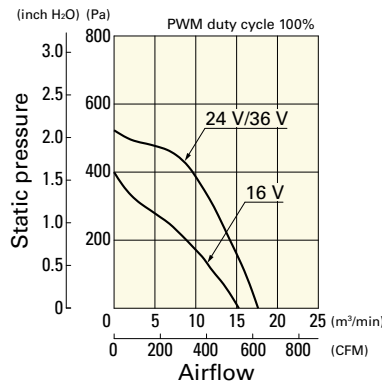
Airflow - Static Pressure Characteristics / PWM Duty - Speed Characteristics Example

9TP24P0H001 With pulse sensor with PWM control function

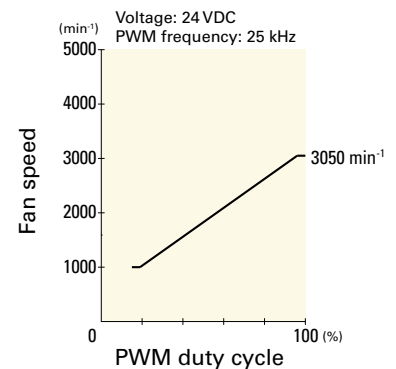
PWM duty cycle



Operating voltage range



PWM duty - Speed characteristics example

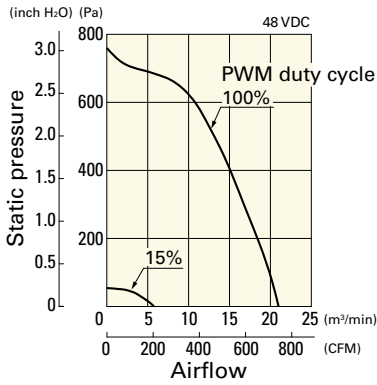


DC Centrifugal Fan ∅221 mm

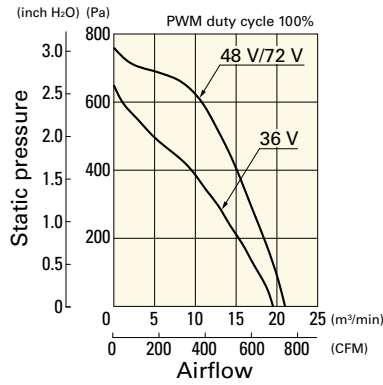
Airflow - Static Pressure Characteristics / PWM Duty - Speed Characteristics Example

9TP48P0G001 With pulse sensor with PWM control function

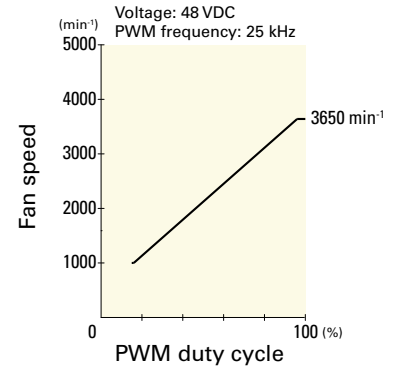
PWM duty cycle



Operating voltage range

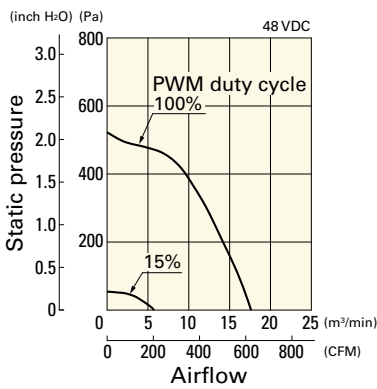


PWM duty - Speed characteristics example

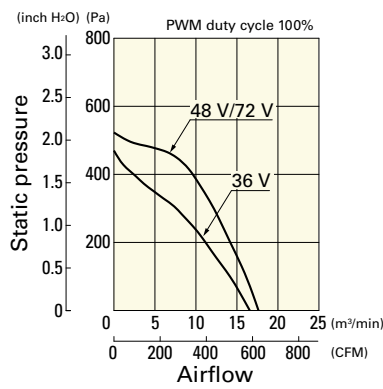


9TP48P0H001 With pulse sensor with PWM control function

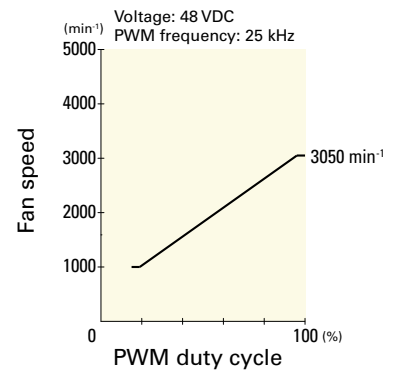
PWM duty cycle



Operating voltage range

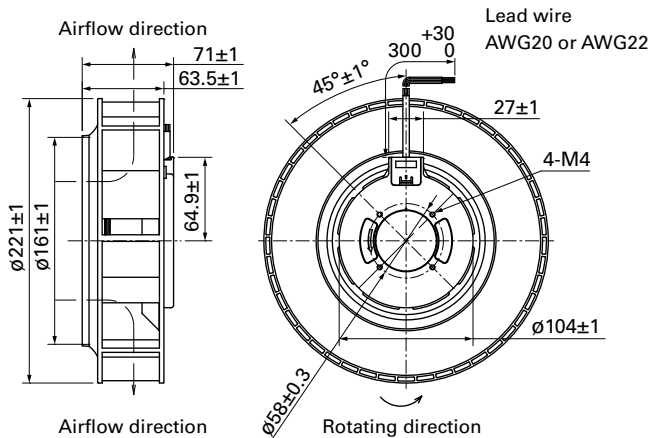


PWM duty - Speed characteristics example

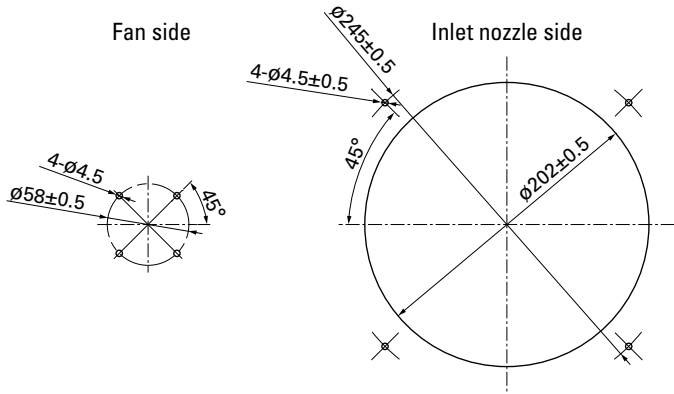


DC Centrifugal Fan $\phi 221$ mm

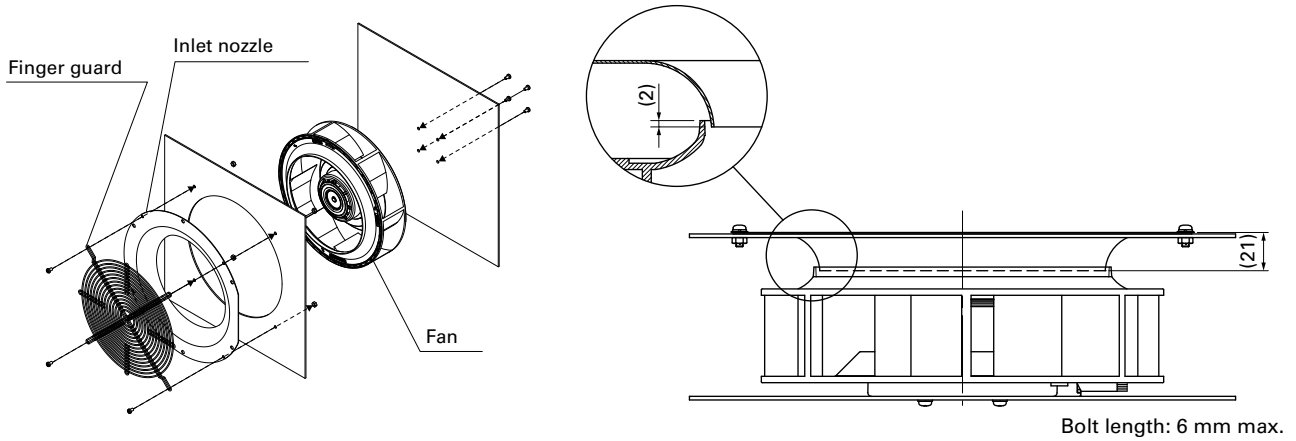
Dimensions (unit: mm)



Reference Dimensions of Mounting Holes and Vent Opening (unit: mm)



Reference Diagram for Mounting Bracket-mounted model of this fan is available. For details, refer to pp. 463 to 465.



Options

Finger guards

page: p. 561

Model no.: 109-1138, 109-1138H

Inlet nozzle

page: p. 563

Model no.: 109-1135, 109-1135H